

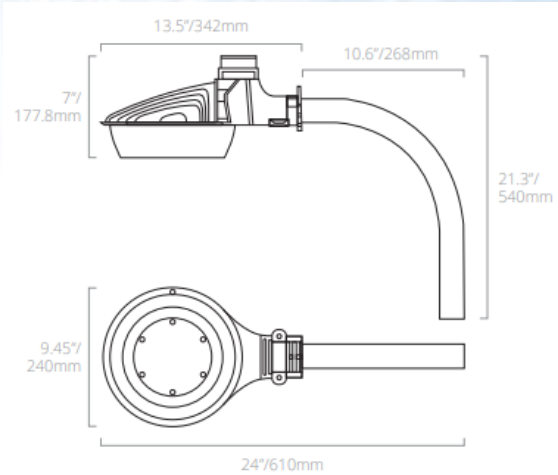
LED Flyer

LED DUSK TO DAWN •5000K •120-277V •-40°F to 104°F (-40°C to 40°C) •50,000 hour life •Alum. housing •5 year limited warranty

16091 122W - 14,000 lumens

- Cost-effective, durable LED solution for area & general security lighting
- 90% energy savings vs. traditional HID sources
- Universal 120-277V photo control provides nighttime ON/daytime OFF
- Poly powder coat gray finish for extra corrosion protection
- Suitable for wall or pole mount applications - 0-10V dimming
- Impact resistant, non-yellowing poly lens - Features 10kV surge protection
- Includes separate galv. steel mounting arm - 2-3/8" mounting arm fitting
- Instant-On w/ no warm up - UL listed for wet locations
- Equivalent up to a 320W HID

* Security, Storage Sheds, Farms/Barns, Building Perimeters, Entryways/Pathways, Industrial Yards, Area Lighting

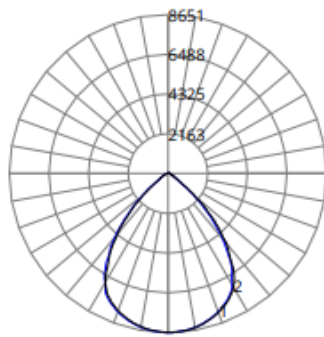


See page 9 for photometrics & bug rating

16091 - LED Dusk to Dawn

DTD-140/B5/850-DIM-GY-U

ZONAL LUMEN SUMMARY		
Zone	Lumens	%Fixture
0-20	3152.24	22.5%
0-30	6635.18	47.4%
0-40	10261.29	73.3%
0-60	13417.01	95.8%
0-80	13866.35	99.0%
0-90	13955.11	99.7%
90-180	46.03	0.3%
0-180	14001.14	100%



16091 - LED Dusk to Dawn (Bug Rating)

